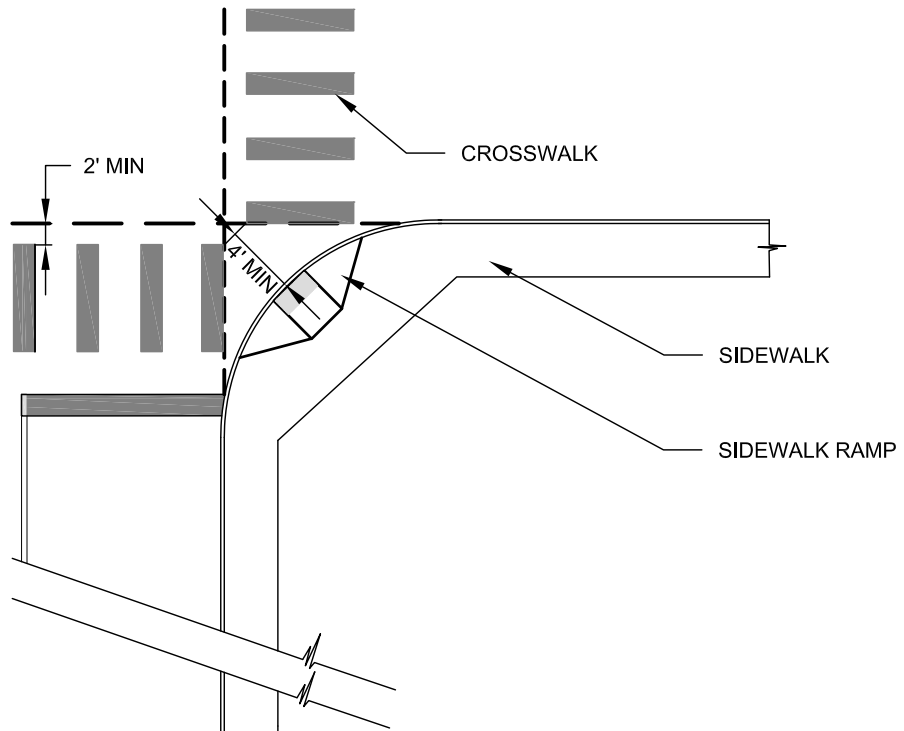
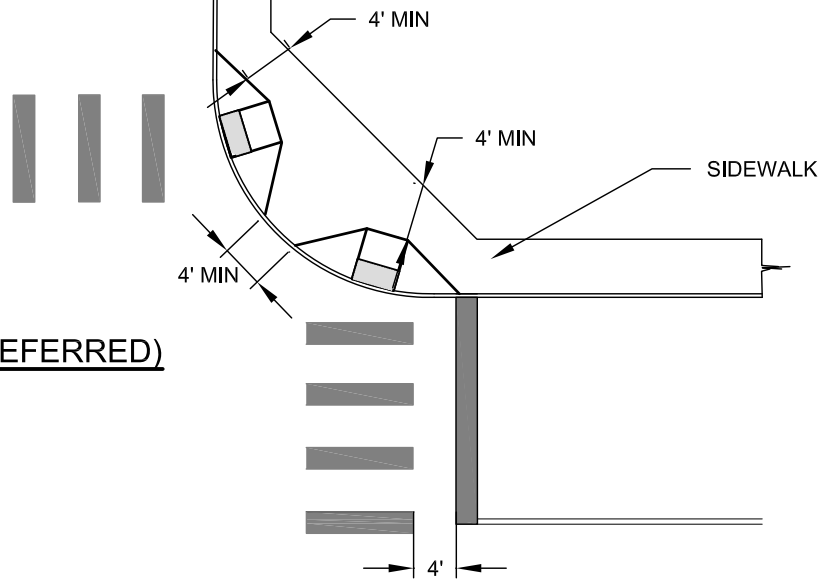


**SINGLE CURB
RAMP LAYOUT**
NTS



**DUAL CURB (PREFERRED)
RAMP LAYOUT**
NTS



NOTES:

1. SEE STANDARD DETAILS F-40.12-01, F-40.14-01, F-40.15-01, AND F-40.16-01 FOR ADDITIONAL DETAILS ON RAMP CONSTRUCTION.
2. SEE STANDARD DETAILS 311, 311A & 311B FOR ADDITIONAL DETAILS ON CROSSWALK AND STOP BAR CONSTRUCTION.
3. RAMP MUST BE WITHIN CROSSWALK.

Rob Crittenden

APPROVED BY: ROB CRITTENDEN
TRAFFIC OPERATIONS SAFETY AND ENGINEERING MANAGER

REVISION DATE: JULY 01, 2014



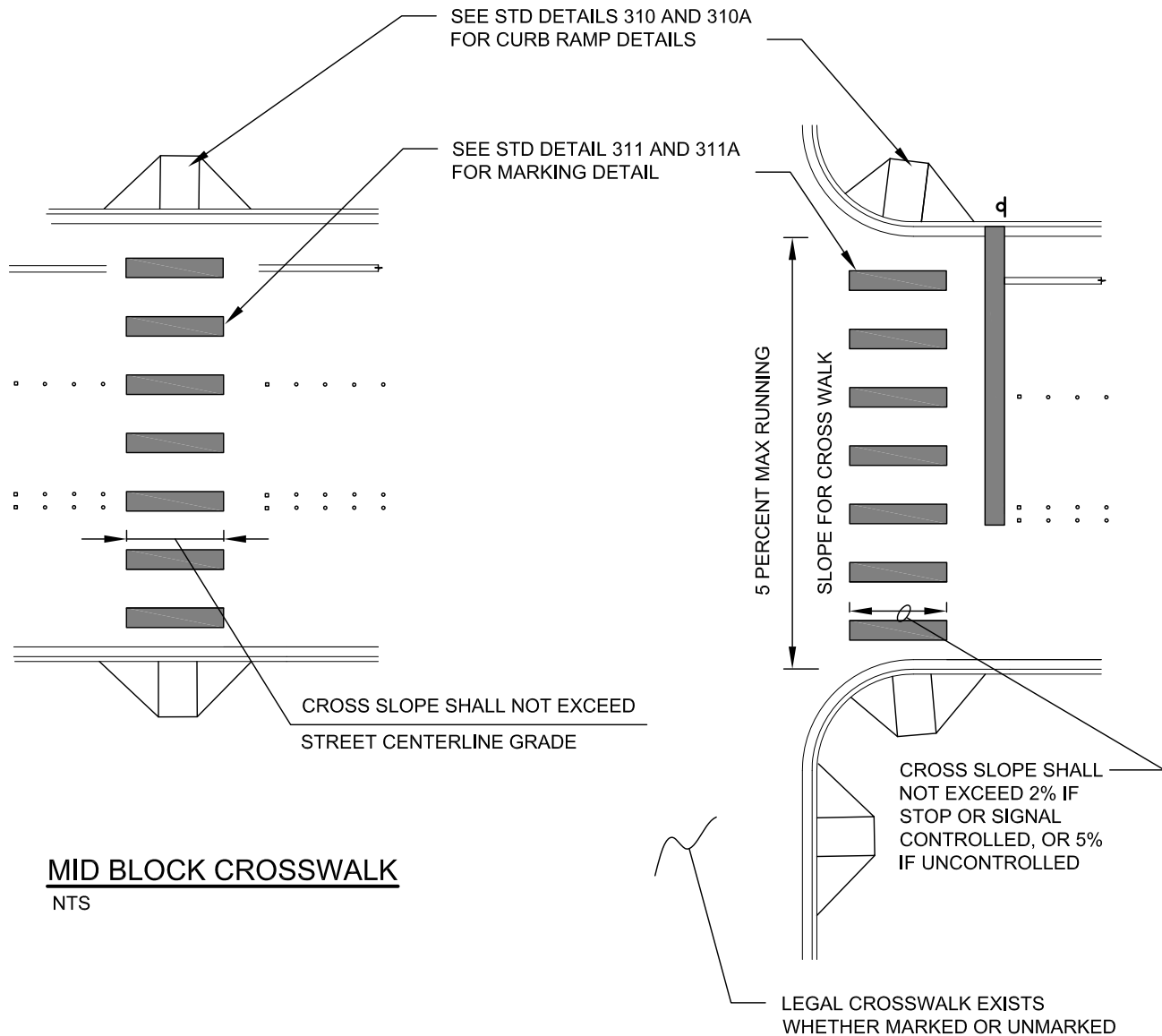
City of Redmond
WASHINGTON

STANDARD DETAILS

SIDEWALK RAMP LAYOUT

FILE NAME: DG01.DWG

DETAIL NUMBER: **DG01**



MID BLOCK CROSSWALK
NTS

CROSSWALKS AT INTERSECTION
NTS

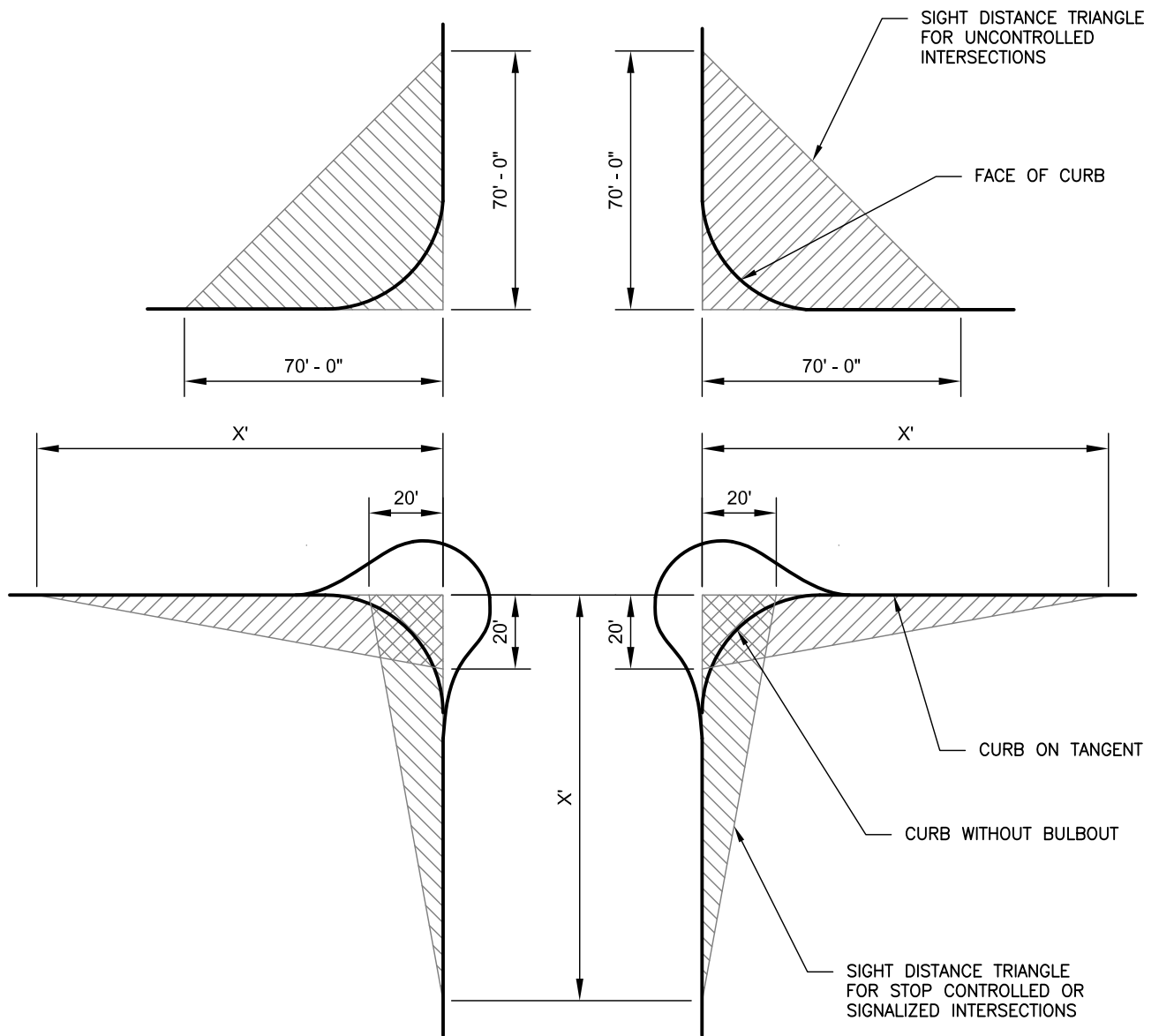
NOTES:

1. STANDARDS APPLY TO BOTH MARKED AND UNMARKED CROSSWALKS.
2. INSTALLATION SHALL REFLECT "REVISED DRAFT GUIDELINES FOR ACCESSIBLE PUBLIC RIGHTS-OF-WAY" DATED NOVEMBER 2005, EXCEPT AS APPROVED BY THE TRAFFIC ENGINEER.
3. RAMPS SHALL BE INSTALLED FOR ALL LEGAL CROSSWALKS, WHETHER MARKED OR UNMARKED, EXCEPT AS APPROVED BY THE TRAFFIC ENGINEER.
4. RAMP CROSS SLOPE SHALL NOT EXCEED THE CENTERLINE GRADE OF THE CROSSWALK.
5. SIDEWALK GRADE SHALL NOT EXCEED THE GENERAL GRADE OF THE PARALLEL STREET.

Rob Crittenden
 APPROVED BY: ROB CRITTENDEN
 TRAFFIC OPERATIONS SAFETY AND ENGINEERING MANAGER
 REVISION DATE: JULY 01, 2014



STANDARD DETAILS
**CROSSWALK ACCESSIBILITY
 DESIGN STANDARDS**
 FILE NAME: DG02.DWG DETAIL NUMBER: **DG02**



PLAN VIEW

NTS

NOTES:

1. X IS a) 100 FEET ALONG ARTERIAL STREETS OR b) 65 FEET ALONG LOCAL ACCESS STREETS.
2. SHOW TRIANGLES FOR STREET AND NON SINGLE FAMILY RESIDENTIAL DRIVEWAY INTERSECTIONS.
3. SIGHT DISTANCE TRIANGLE LEGS ALIGN WITH CURB ON TANGENT.
4. SIGHT DISTANCE TRIANGLE IS APPLICABLE BETWEEN A HEIGHT OF EIGHT AND TWO FEET ABOVE GROUND. NO SIGHT OBSTRUCTIONS SHALL EXIST PER RZC 21.52.040

Rob Crittenden

APPROVED BY: ROB CRITTENDEN
TRAFFIC OPERATIONS SAFETY AND ENGINEERING MANAGER

REVISION DATE: JULY 01, 2014



City of Redmond
WASHINGTON

STANDARD DETAILS

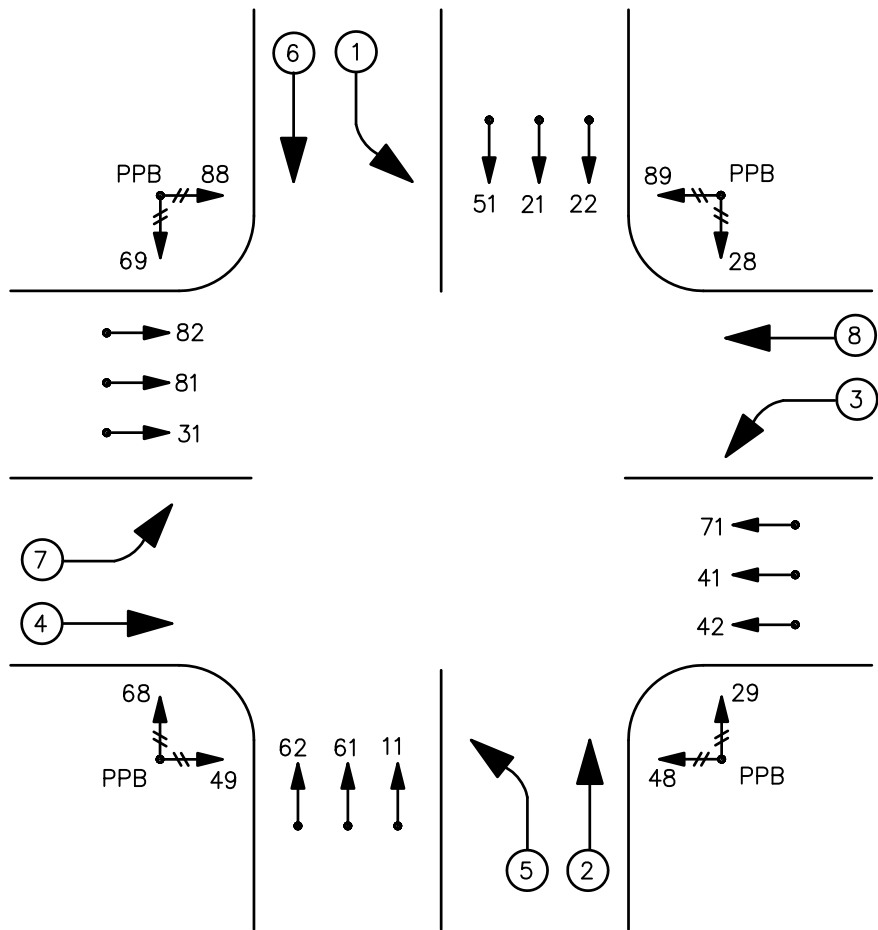
SIGHT DISTANCE TRIANGLE

FILE NAME: DG03.DWG

DETAIL NUMBER: **DG03**

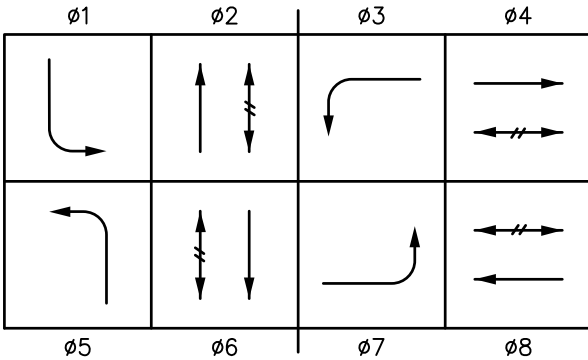
INTERSECTION HEAD NUMBERS

NTS



PHASING SEQUENCE DIAGRAM

NTS



NOTE:

PHASE 2 IS TYPICALLY NORTHBOUND. CONFIRM WITH TRAFFIC OPERATIONS DIVISION. EXCEPTIONS MAY OCCUR, SUCH AS FOR CONSISTENCY ALONG A CURVING ARTERIAL.

Rob Crittenden
 APPROVED BY: ROB CRITTENDEN
 TRAFFIC OPERATIONS SAFETY AND ENGINEERING MANAGER
 REVISION DATE: JULY 01, 2014



STANDARD DETAILS

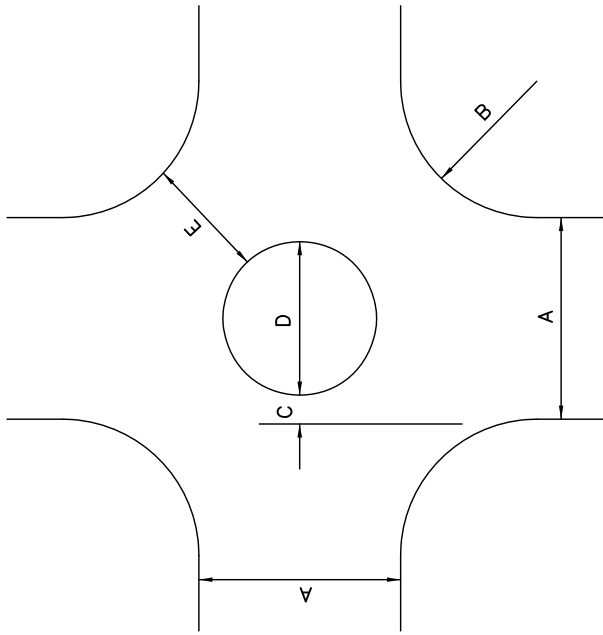
STANDARD INTERSECTION HEAD NUMBERS AND PHASING

FILE NAME: DG04.DWG DETAIL NUMBER: **DG04**

DIMENSIONS

A STREET WIDTH	B CURB RETURN RADIUS	C OFFSET DISTANCE	D CIRCLE DIAMETER	E OPENING WIDTH
20'	<15'	RECONSTRUCT CURBS	9'	16'+
	15'	5.5'	10'	17'+
	18'	5.0'	11'	18'-
	20'	4.5'	12'	19'+
24'	<12'	RECONSTRUCT CURBS	13'	16'
	12'	5.5'	14'	17'-
	15'	5.0'	15'	18'+
	20'	4.5'	17'	20'-
25'	<12'	RECONSTRUCT CURBS	14'	16'+
	12'	5.5'	15'	17'-
	15'	5.0'	16'	18'-
	20'	4.5'	18'	20'-
30'	10'	5.5'	19'	16'+
	12'	5.0'	20'	17'-
	15'	5.0'	20'	17'+
	18'	4.5'	21'	18'+
32'	20'	4.0'	22'	19'+
	25'	3.0'	24'	20'
	10'	5.5'	21'	16'+
	12'	5.0'	22'	17'-
36'	15'	4.5'	23'	18'-
	18'	4.0'	24'	19'-
	20'	4.0'	24'	19'+
	25'	2.5'	27'	20'
40'	10'	5.0'	26'	17'-
	12'	5.0'	26'	17'+
	15'	4.5'	27'	18'+
	18'	4.0'	28'	19'+
40'	20'	3.5'	29'	20'-
	25'	1.5'	33'	20'
	10'	5.0'	30'	17'+
	12'	4.5'	31'	18'+
40'	15'	4.0'	32'	19'-
	18'	3.5'	33'	20'-
	20'	3.0'	34'	20'
	25'	1.0'	38'	20'

GEOMETRY



OPTIMUM CRITERIA

- NOTES:
- USE DIMENSION SCHEDULE AS A DESIGN GUIDE. FINAL DIMENSIONS TO BE DETERMINED BY THE ENGINEER.
 - FOR PLANTER ISLAND SPECIFICATIONS SEE TRAFFIC CIRCLE DETAIL SD478.
- | | |
|---------------------|-------------------|
| OFFSET DISTANCE (C) | OPENING WIDTH (E) |
| 5.5' MAX. | 16' MIN. |
| 5.0' | 17' ± |
| 4.5' | 18' ± |
| 4.0' | 19' ± |
| 3.5' OR LESS | 20' ± |

Rob Crittenden

APPROVED BY: ROB CRITTENDEN
TRAFFIC OPERATIONS SAFETY AND ENGINEERING MANAGER

REVISION DATE: JULY 01, 2014

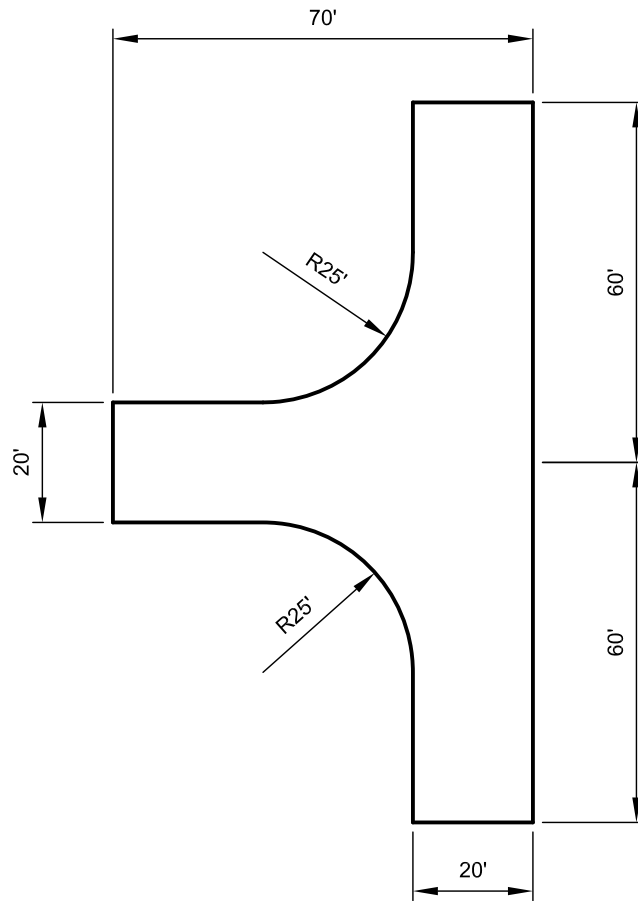


STANDARD DETAILS

TRAFFIC CIRCLE DIMENSIONS

FILE NAME: DG05.DWG

DETAIL NUMBER: **DG05**



Todd Short

APPROVED BY: TODD SHORT
ASSISTANT FIRE MARSHAL

REVISION DATE: JULY 01, 2014



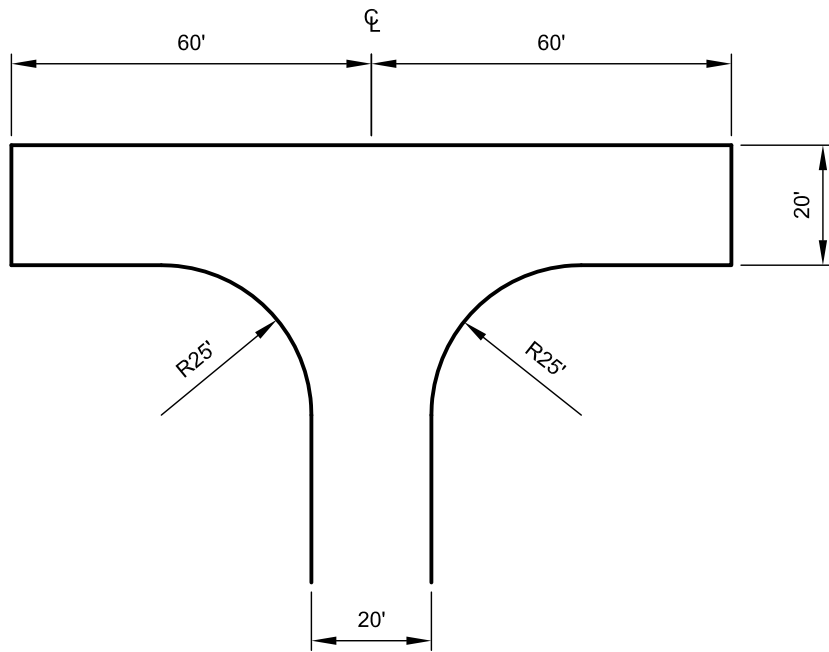
City of Redmond
WASHINGTON

STANDARD DETAILS

**120' HAMMERHEAD
ALTERNATE**

FILE NAME: DG06.DWG

DETAIL NUMBER: **DG06**



Todd Short

APPROVED BY: TODD SHORT
ASSISTANT FIRE MARSHAL

REVISION DATE: JULY 01, 2014



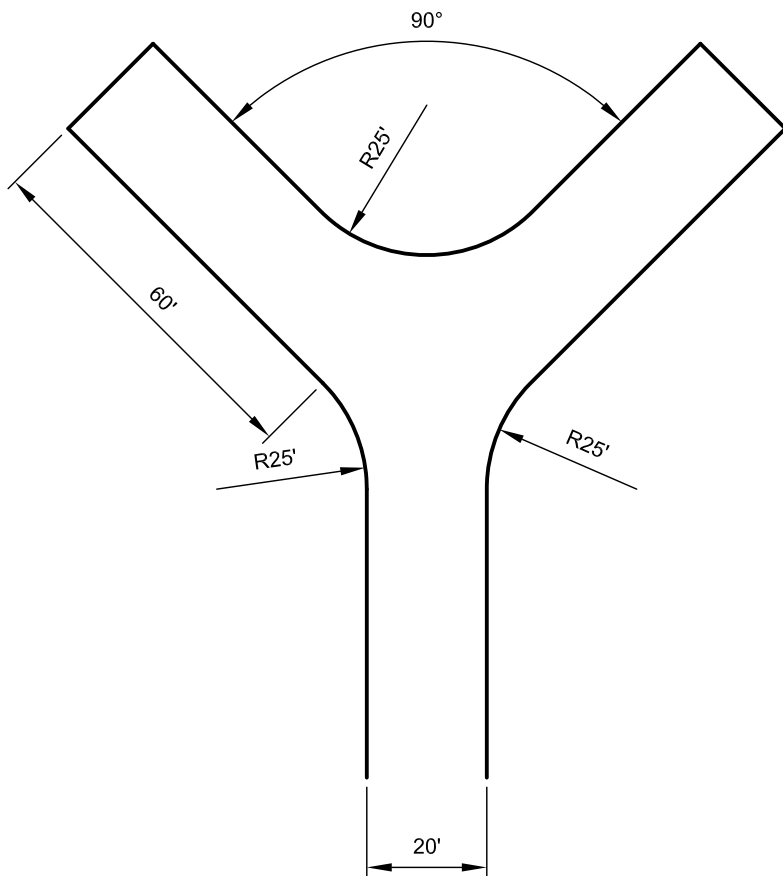
City of Redmond
WASHINGTON

STANDARD DETAILS

120' HAMMERHEAD

FILE NAME: DG07.DWG

DETAIL NUMBER: **DG07**



Todd Short

APPROVED BY: TODD SHORT
ASSISTANT FIRE MARSHAL

REVISION DATE: JULY 01, 2014



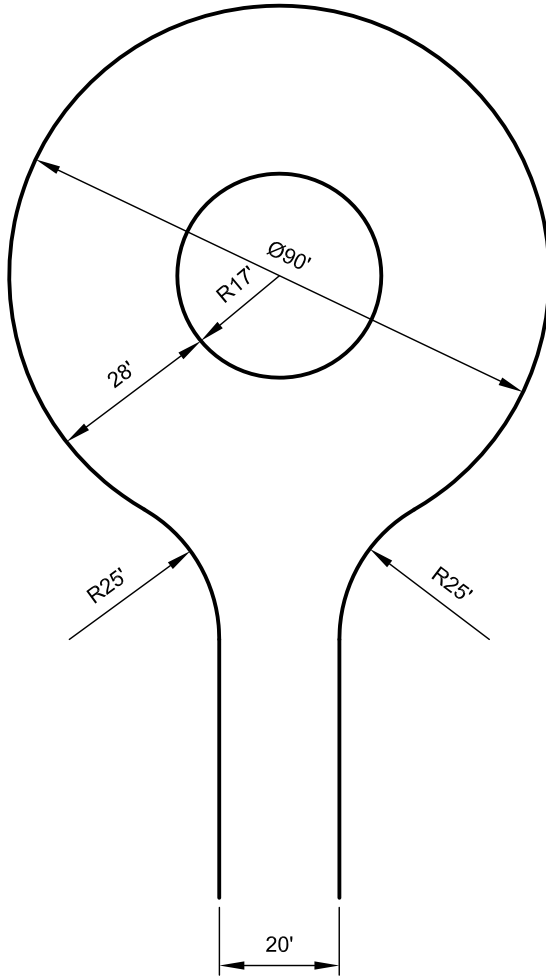
City of Redmond
WASHINGTON

STANDARD DETAILS

60' Y

FILE NAME: DG08.DWG

DETAIL NUMBER: **DG08**



Todd Short

APPROVED BY: TODD SHORT
ASSISTANT FIRE MARSHAL

REVISION DATE: JULY 01, 2014



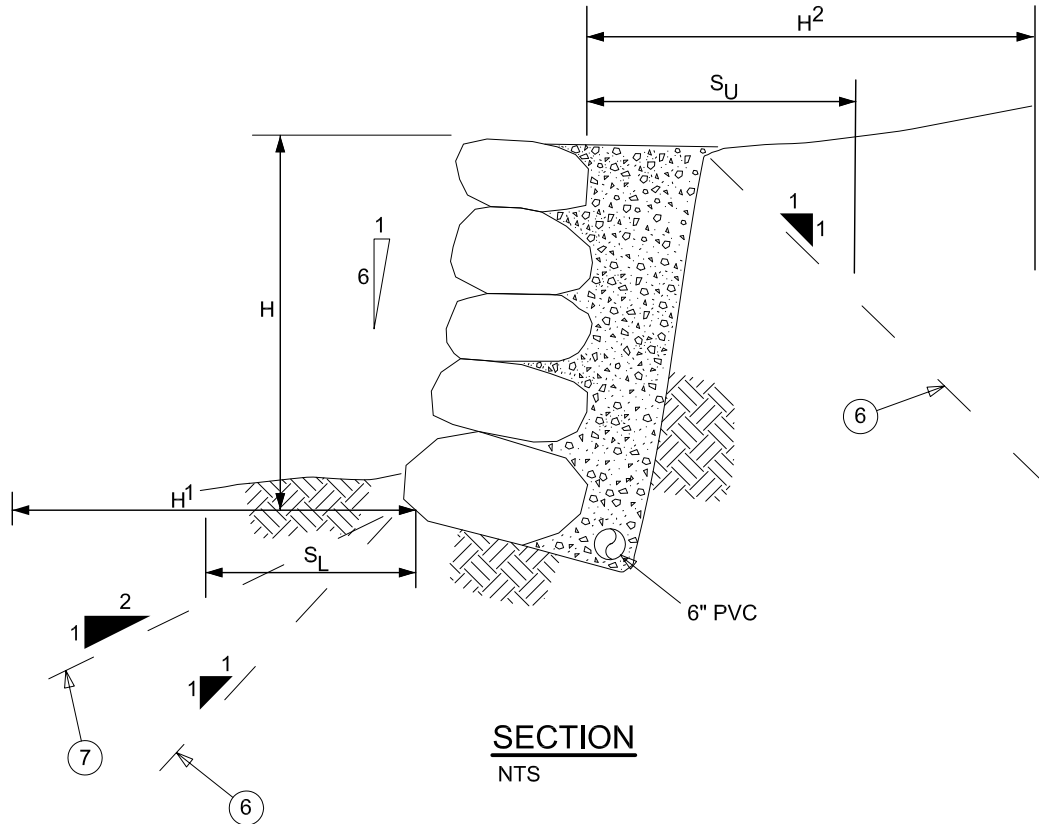
City of Redmond
WASHINGTON

STANDARD DETAILS

90° CUL-DE-SAC

FILE NAME: DG09.DWG

DETAIL NUMBER: **DG09**



NOTES:

1. FREE-STANDING HEIGHT OF ROCK WALL, H = VARIES PER DESIGN
ALL ROCKERY WALLS OF GREATER THAN 4 FEET IN MAXIMUM FREE STANDING HEIGHT SHALL BE DESIGNED BY GEOTECHNICAL ENGINEER
2. MINIMUM SETBACK DISTANCE IN WHICH NO TEMPORARY EXCAVATION OR TRENCHING MAY BE PERFORMED, $S_U = 5$ FEET
3. MINIMUM SETBACK DISTANCE IN WHICH NO TEMPORARY EXCAVATION OR TRENCHING MAY BE PERFORMED, $S_L = 2/3H$
4. MINIMUM DISTANCE IN WHICH NO PERMANENT REMOVAL OF SUBGRADE IS ALLOWED, $H^1 = 10$ FEET
5. MINIMUM DISTANCE IN WHICH NO EXCAVATION OF MATERIAL OR ANY SURCHARGE IS ALLOWED, $H^2 = 10$ FEET
6. IMAGINARY LINE BELOW WHICH NO EXCAVATION IS ALLOWED ABOVE OR BELOW WALL = 1H:1V
7. IMAGINARY LINE DEPICTING BOUNDS FOR MAXIMUM FINISHED GRADE OR PERMANENT EXCAVATION = 2H:1V
8. DRAINAGE IS REQUIRED BEHIND ROCK WALL, IF ADJACENT TO CITY RIGHT-OF-WAY, AND HEIGHT (H) GREATER THAN 18 INCHES.

Paulette Norman

APPROVED BY: PAULETTE NORMAN
DEVELOPMENT ENGINEERING MANAGER

REVISION DATE: JULY 01, 2014



STANDARD DETAILS

**TYPICAL ROCKERY DETAIL POST
CONSTRUCTION GUIDELINES**

FILE NAME: DG10.DWG

DETAIL NUMBER: **DG10**