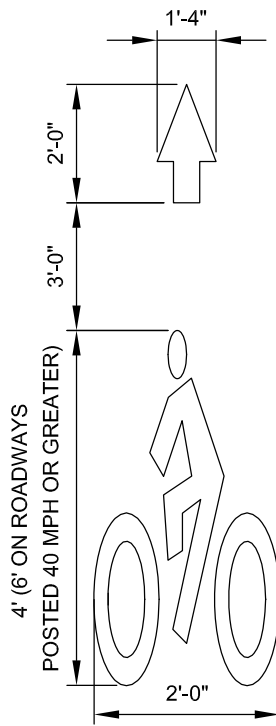


BICYCLE LANE WITH PARKING

NTS

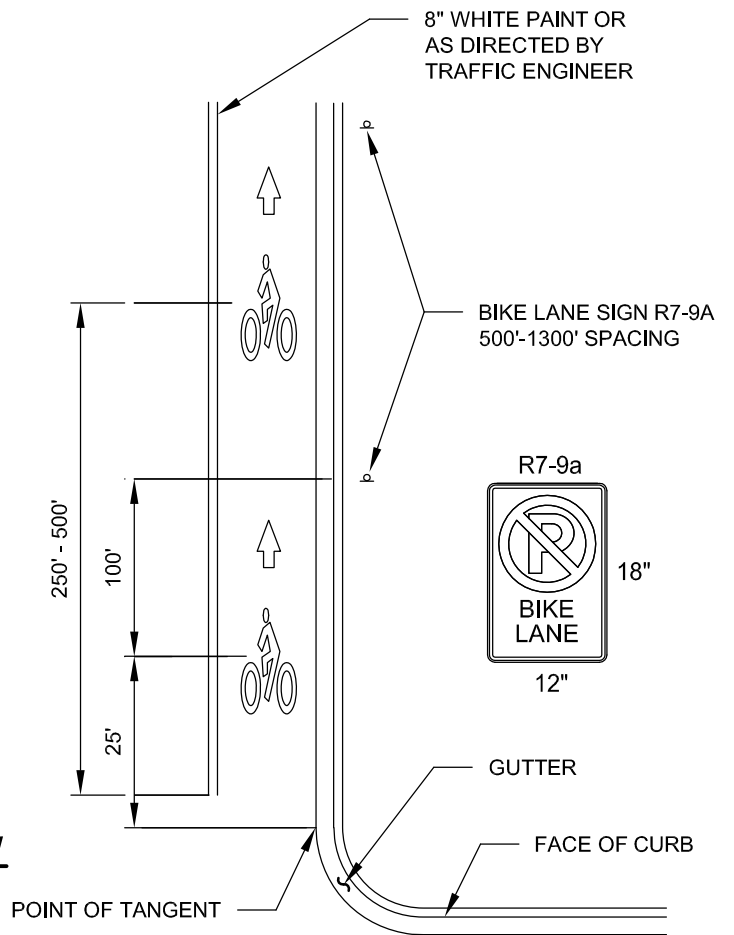
BICYCLE LANE WITHOUT PARKING

NTS



BICYCLE LANE SYMBOL & ARROW

NTS



TYPICAL BICYCLE LANE

NTS

NOTES:

1. BIKE LANE SYMBOL AND ARROW MATERIAL SHALL BE 90 MIL, PREFORMED, SKID RESISTANT THERMOPLASTIC.
2. SIGN MATERIAL SHALL BE 3M DG3.

CITY OF REDMOND, WASHINGTON			STANDARD DETAILS		
APPROVED BY: RON GRANT CITY ENGINEER			BICYCLE LANES		
REVISION DATE: MARCH 01, 2010			FILE NAME: SD319.DWG	DETAIL NUMBER: 319	