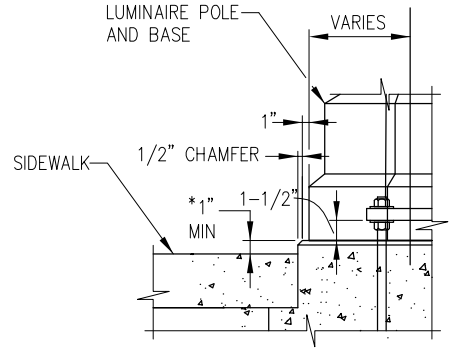
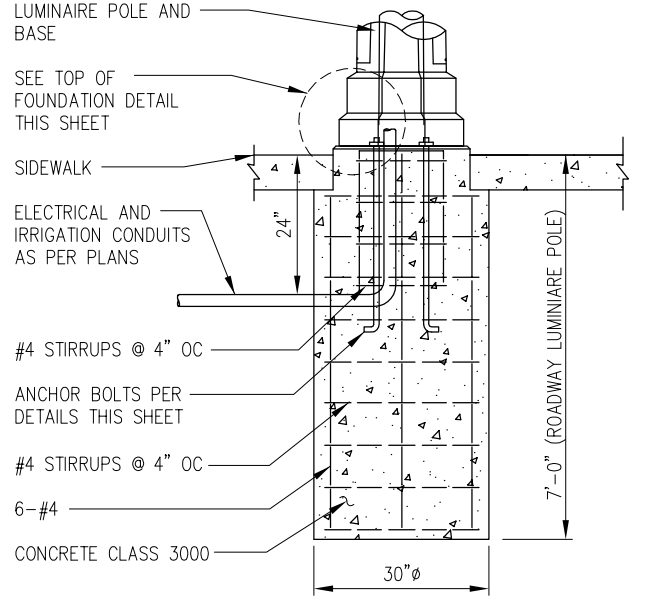


PAINT SPECIFICATIONS: ALL CAST IRON AND STEEL LIGHT POLE PARTS ARE TO BE FACTORY PRIME PAINTED WITH "TNEPEC" PRIMER AND FACTORY FINISH PAINTED WITH "TNEPEC" PEKING BLUE, ENDURASHIELD #F175B2705A 8556A, OR APPROVED EQUAL.



* TOP OF FOUNDATION TO BE LEVEL, 1" MIN HEIGHT ABOVE TOP OF SIDEWALK

TOP OF FOUNDATION DETAIL



LUMINAIRE POLE FOUNDATION DETAIL

ROADWAY LUMINAIRE AND POLE

APPROVED: WILLIAM J. CAMPBELL
REV. DATE: JULY 1, 2007



STANDARD DETAILS	
ROADWAY LUMINAIRE AND POLE	
FILE	DRAWING NO. 470
SD470	