

FIRST STEP
MAX OF
1'-6" DOWN

2'-0" CLEAR
OPENING

CITY OF REDMOND
STANDARD RING AND COVER

4" MIN
1'-4" MAX

25'-0"
MAX

PLASTER INSIDE
FACING WITH
3/4" GROUT

GROUT BETWEEN
ADJUSTING RINGS

POLYPROPYLENE
MANHOLE STEPS

48" X 24" OFFSET CONE
ALIGN CONE OPENING AND
LADDER OVER OUTLET PIPE
(TYPE 1 MANHOLE WSDOT
STANDARD PLAN B-15.20-00)

12" TYP

RUBBER GASKETED,
GROUT ALL JOINTS
CONTINUOUS ON
INSIDE AND OUTSIDE
OF MANHOLE

LADDER
(SEE NOTE 1)

FILL LIFTING HOLES WITH
NON-SHRINK GROUT

B
842

CROWN + 0.1'

BEDDING SHALL BE
IMPORTED "MATERIAL
FOR FLEXIBLE PIPE
(WSDOT 9-03.16)"
OR "PEA GRAVEL"

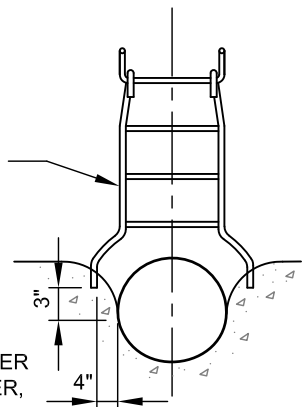
SAND COLLAR
MANHOLE / PIPE
ADAPTOR

CHANNEL DEPTH SHALL BE
3/4 OF THE DIAMETER OF THE
PIPE, PRECAST CHANNELS
SHALL NOT BE USED

SECTION
NTS

LADDER

NOTES:
FOR PIPE SIZE GREATER
THAN 8 INCH DIAMETER,
SPREAD LADDER TO
STRADDLE CHANNEL.



LADDER
NTS

CITY OF REDMOND, WASHINGTON

APPROVED BY: RON GRANT
CITY ENGINEER

REVISION DATE: MARCH 01, 2010



STANDARD DETAILS

48" STANDARD MANHOLE

FILE NAME: SD840.DWG

DETAIL NUMBER: **840**