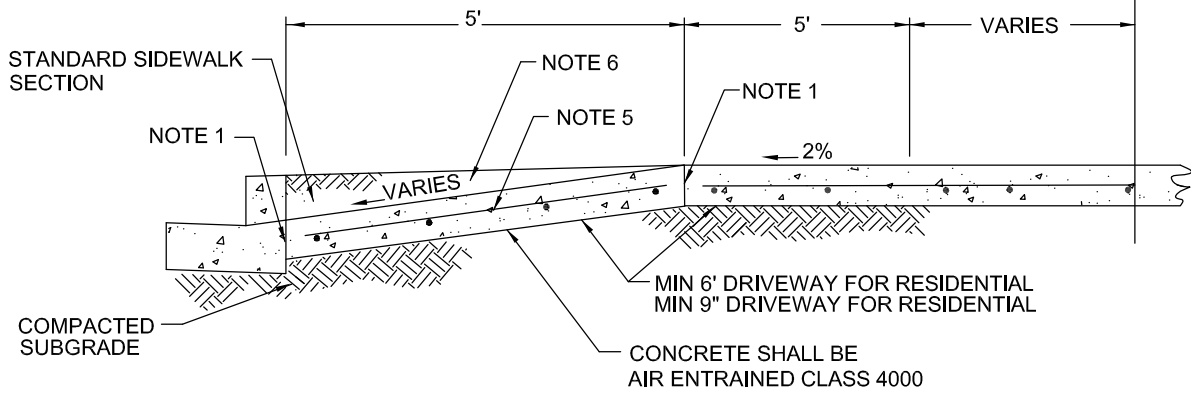


ISOMETRIC VIEW
NTS



SECTION A-A
NTS

NOTES:

1. 3/8 INCH x 2 INCH FOR ALL JOINT MATERIAL.
2. 3/8 INCH FULL DEPTH JOINT.
3. 3/8 INCH X 2 INCH JOINT MATERIAL ON CENTERLINE WHEN DRIVEWAY IS WIDER THAN 16 FEET.
4. LANDSCAPE AREA IS 5 FEET WIDE UNLESS OTHERWISE APPROVED.
5. DRIVEWAYS SHALL BE CONSTRUCTED IN ACCORDANCE WITH SECTION 5-05 AND 8-06 OF THE STANDARD SPECIFICATIONS. WIRE MESH SHALL BE INSTALLED ON COMMERCIAL DRIVEWAYS. WIRE MESH SHALL BE 4 INCH X 4 INCH, NUMBER 4 GAUGE PER SECTION 9-07 OF THE STANDARD SPECIFICATIONS (AASHTO M55).
6. THE CONCRETE MIX FOR DRIVEWAYS SHALL BE AIR ENTRAINED CONCRETE CLASS 4000 IN ACCORDANCE WITH THE REQUIREMENTS OF SECTION 6-02 OF THE STANDARD SPECIFICATIONS. THE CONCRETE FINISH REQUIREMENTS INCLUDE:
 - A. JOINTS SHALL BE TOOLED WITH 1/4 INCH RADIUS EDGER
 - B. DRIVEWAY EDGES TOOLED WITH A 1/2 INCH RADIUS EDGER
 - C. AFTER DRIVEWAY IS GIVEN A LONGITUDINAL (TRANSVERSE TO VEHICLE FLOW) BRUSH FINISH, THE EDGES OF THE DRIVEWAY AND ALL JOINTS SHALL BE LIGHTLY EDGED AGAIN WITH A 4 INCH WIDE EDGING TOOL TO GIVE A FINISHED APPEARANCE.

CITY OF REDMOND, WASHINGTON			STANDARD DETAILS	
APPROVED BY: RON GRANT CITY ENGINEER			TYPE "1A" DRIVEWAY W/ ADJACENT LANDSCAPE AREA	
REVISION DATE: MARCH 01, 2010	City of Redmond WASHINGTON		FILE NAME: SD305A.DWG	DETAIL NUMBER: 305A